

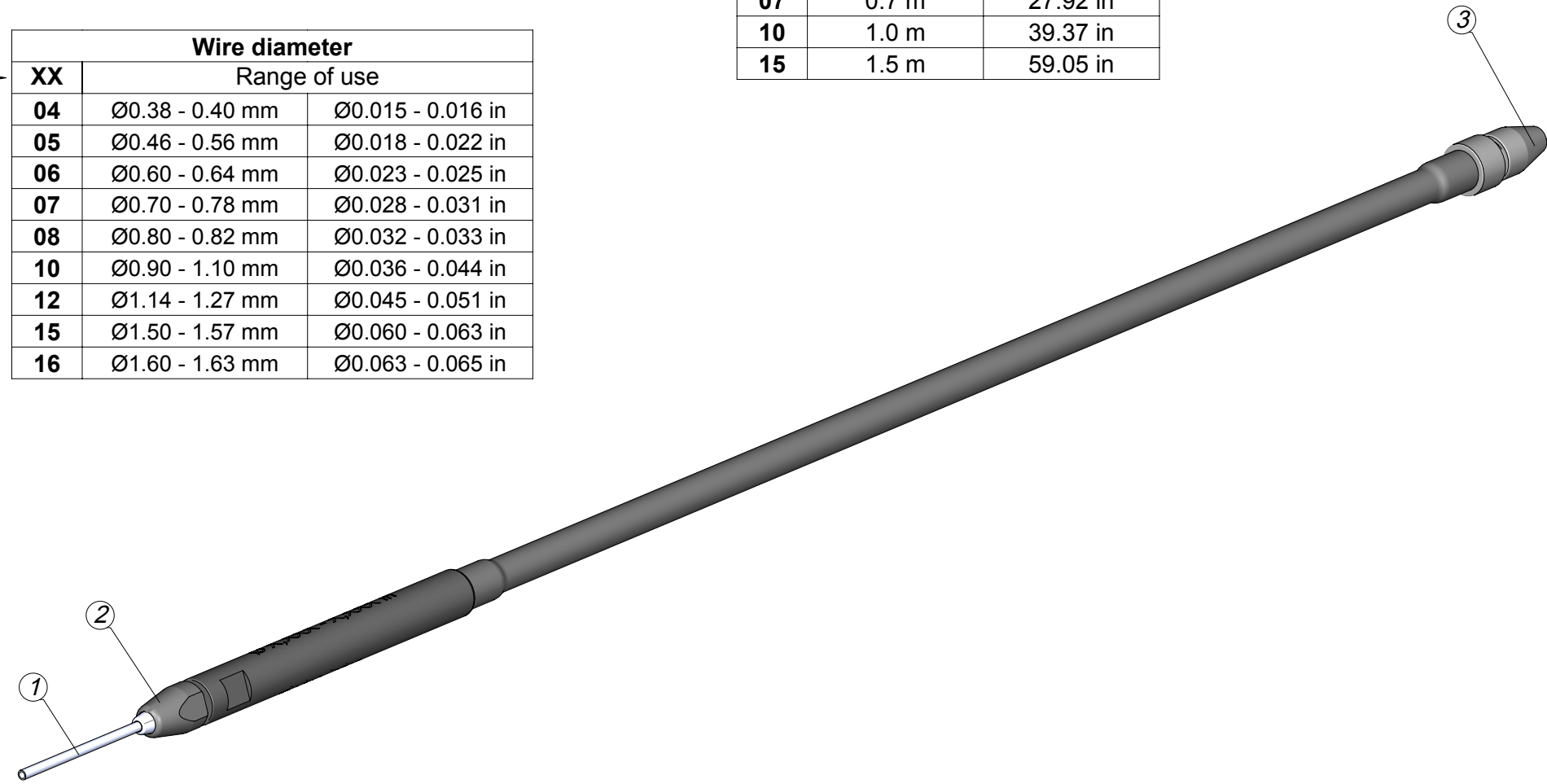
# GSFR XX D LL-B

WITHOUT SOLDER WIRE PERFORATION

Guide kit Ref.	Guide tube Ref.
GSFR05D03-B	0029667
GSFR05D07-B	0029668
GSFR05D10-B	0029669
GSFR06D03-B	0029670
GSFR07D03-B	0029671
GSFR08D03-B	0029648
GSFR08D05-B	0029649
GSFR08D06-B	0029650
GSFR08D07-B	0029651
GSFR08D10-B	0029652
GSFR10D03-B	0029653
GSFR10D06-B	0029654
GSFR10D07-B	0029655
GSFR10D10-B	0029656
GSFR12D03-B	0029657
GSFR12D05-B	0030647
GSFR12D10-B	0029658
GSFR15D03-B	0029659
GSFR15D04-B	0029660
GSFR15D05-B	0029661
GSFR15D10-B	0029662
GSFR15D15-B	0029663
GSFR16D03-B	0029664
GSFR16D04-B	0029665
GSFR16D05-B	0031468
GSFR16D07-B	0031548
GSFR16D15-B	0029666

Tube length		
LL	Length	
03	0.3 m	11.81 in
04	0.4 m	15.75 in
05	0.5 m	19.68 in
06	0,6 m	23,62 in
07	0.7 m	27.92 in
10	1.0 m	39.37 in
15	1.5 m	59.05 in

Wire diameter		
XX	Range of use	
04	Ø0.38 - 0.40 mm	Ø0.015 - 0.016 in
05	Ø0.46 - 0.56 mm	Ø0.018 - 0.022 in
06	Ø0.60 - 0.64 mm	Ø0.023 - 0.025 in
07	Ø0.70 - 0.78 mm	Ø0.028 - 0.031 in
08	Ø0.80 - 0.82 mm	Ø0.032 - 0.033 in
10	Ø0.90 - 1.10 mm	Ø0.036 - 0.044 in
12	Ø1.14 - 1.27 mm	Ø0.045 - 0.051 in
15	Ø1.50 - 1.57 mm	Ø0.060 - 0.063 in
16	Ø1.60 - 1.63 mm	Ø0.063 - 0.065 in



	Traction wheel Ref.	Support wheel Ref.	Inlet nozzle Ref. (for SFR-A)	Interm. nozzle Ref.	Inlet nozzle Ref. (for SFR-B)	Counter wheel Ref.	Screws Ref.	Threaded stud Ref.	Needle	Metal cap	Input tube guide	
Tube length Wire $\phi$												
GSFR04DLL-B	0019479	0020345	-	0030558	0030535	0026693 (Provided with SFR)	0026695 (x2)	0026696 (x3)	0029940	0029948	0029949	
GSFR05DLL-B		0019519		0030559	0030534				0029941			
GSFR06DLL-B		0019480		0030560	0030536				0029942			
GSFR07DLL-B			0023740	0030561	0030537				0029943			
GSFR08DLL-B			0023741	0030562	0030538				0029944			
GSFR10DLL-B			0023736	0030563	0030539	0029945						
GSFR12DLL-B		0019481	0023855	0030564	0030540	0029946			0026694		0029947	0029951
GSFR15DLL-B			-	0030565	0030541							
GSFR16DLL-B			-	-	-	-			-			